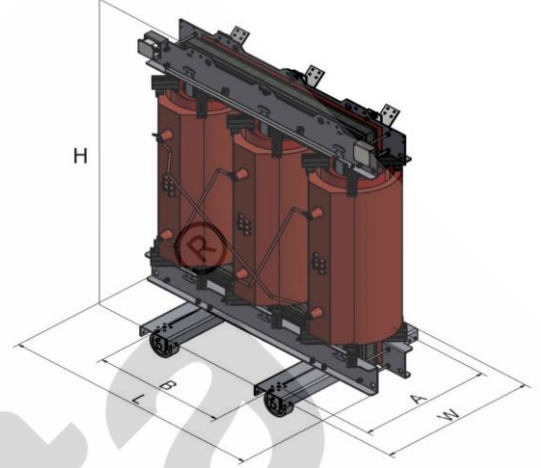


ELECTRICAL DATA

Standards:	IEC 60076-11	
Service:	Distribution	
Rated Power	1000	kVA
Primary Side:		
Rated Voltage	10	kV
Voltage Tappings	± 2 x 2.5%	
Rated Current	57,74	A
Connection	Delta	
Secondary Side:		
Rated Voltage	0,4	kV
Rated Current	1443,38	A
Connection	Star+N	
No Load Loss (Ecodesign for Tier2)	1395	W
Load Loss at 120°C (Ecodesign for Tier2)	9000	W
Short Circuit Impedance at 120°C (±IEC tolerances)	6	%
Sound Power Level	65	dB
Partially Discharge Level	≤10	pC
Number of Phase	3	
Frequency	50	Hz
Vector Group	Dyn5	
Insulating Class (Primary/Secondary)	F/F	
Maximum Temperature Rise of Windings	100	K
Cooling Method	AN	
Conductor Material (Primary/Secondary)	Al/Al	
Insulation Level of Primary Side	12/28/75	kV
Insulation Level of Secondary Side	1,1/3/-	kV
Classes:		
Climatic	C2	
Environmental	E2	
Fire	F1	
Altitude	1000	m
Location	Indoor	
Enclosure		
Protection Class	IP00	
Material	-	
Thickness of Steel Sheet	-	
Thickness of Coating	-	
Colour	-	
Enclosure Weight	-	



DIMENSIONS

Length	L	1560	mm
Width	W	1020	mm
Height	H	1965	mm
Wheels Center	AxB	820x820	mm
Wheels Diameter		160	mm
Transformer Weight		2920	kg
Total Weight		2920	kg

*Dimensions and weight are ±10% tolerated.

INCLUDED ACCESSORIES

- PT100 temperature sensors
- PT100 distribution box IP55
- Temperature Controller Relay
- Wheels (Adjustable in two ways)
- Rating Plate
- Earthing terminal
- Eyebolts for horizontal moving
- Lifting Lugs
- Use and Maintenance Manuel
- Routine Test Report

Technical Remarks: Tolerance and tests according to IEC 60076 (if not otherwise indicated)

Dimensions and weight are approximate and will be confirmed after PO

Warranty referred at nominal power rating and nominal voltage ratio (the highest in case of double primary voltages)

Sound pressure level referred at 1000 mm with AN and +3 dB tolerance